



**DIMENSIONS AS A PLAYPEN**  
126x111 cm 128x66 cm

**WIDTH AS A BARRIER**  
Adjustable from 74.5 to 367.5 cm

**HEIGHT**  
Top of gate to floor 76 cm

# Wooden Playpen with Base Mat

## IMPORTANT - READ AND FOLLOW THESE INSTRUCTIONS CAREFULLY AND KEEP FOR FUTURE REFERENCE

### 1. When used as a playpen:

**WARNING:** Check the playpen fittings regularly to ensure they remain securely fixed and that the gate remains fully operational.

**WARNING:** Do not use the playpen if any components are damaged or missing.

**WARNING:** All assembly fitting should always be tightened properly.

**WARNING:** Do not leave items in the playpen that could assist the child in climbing out or could pose a risk of strangulation.

**WARNING:** Do not place the playpen too close to an open flame or other heat source.

**WARNING:** Do not use the playpen without the base.

**WARNING:** Ensure that the playpen is fully erected and all the locking mechanisms are engaged before placing your child in this playpen.

### 2. When used as a gate, room divider or fire-surround:

This gate conforms to EN 1930:2011 when fitted as instructed.

This gate is designed for children up to the age of 24 months. Manual Closure System. Fits door openings and at the top and bottom of the stairs.

**WARNING:** This barrier is for domestic use only.

**WARNING:** Do not use the safety barrier if any components are damaged or missing.

**WARNING:** The safety barrier must not be fitted across windows.

**WARNING:** Stop using the barrier if the child is capable of climbing it.

**WARNING:** Never climb over the gate.

**WARNING:** Never allow young children to climb over or swing on the gate.

**WARNING:** Check the gate fittings regularly to ensure they remain securely fixed and that the gate remains fully operational.

**WARNING:** This safety gate will not necessarily prevent all accidents. Never leave children unattended.

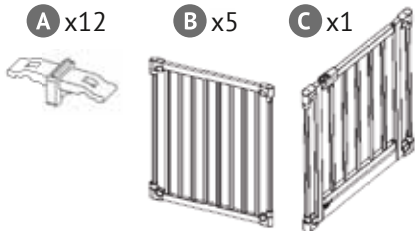
## A CONTENTS

For use as a playpen

A x12

B x5

C x1



For use as a Safety Barrier, Fire Surround or Room Divider

A x12

B x4

C x4

D x4

E x2

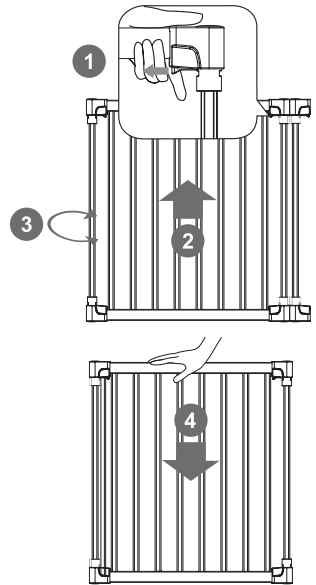


## B INSTALLATION - AS A PLAYPEN

1. The playpen should be erected by two people, to avoid overstressing the hinges and slats during assembly.

Place the playpen vertically upright on a stable surface. Each panel has a hinge at each end and the hinges are secured together, top and bottom by a connector (Part A). To unfold each slatted panel, you need to unlock each hinge. To do this, slide the catch underneath each top corner hinge (1) outwards and gently lift the panel (2) whilst holding down the adjacent panel. This will allow you to rotate the panel around the outer slat (3). To secure each panel again, push down on it firmly (4) until it locks. You can check that each panel is securely locked, by gently trying to rotate it. If it will not rotate, it is securely locked.

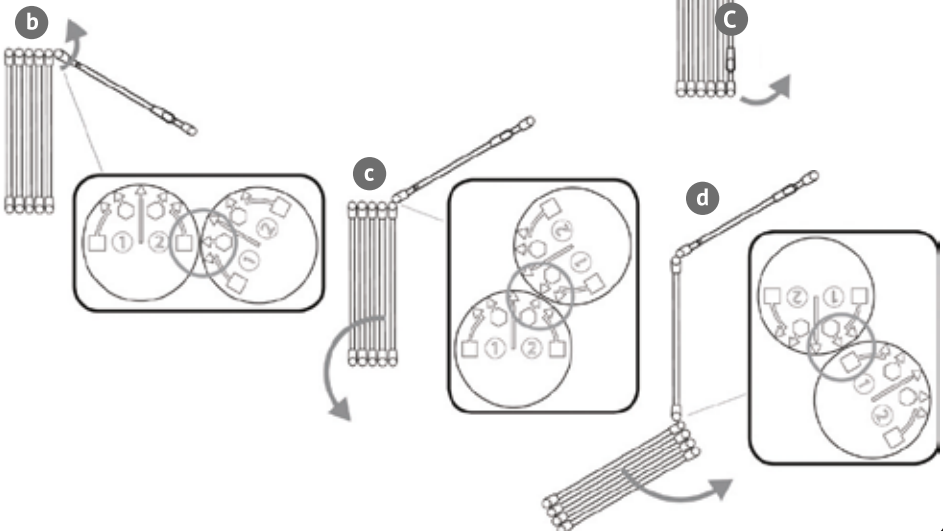
To set up the playpen as a hexagon adjust the six panels, starting with the door panel and finish by securing the last element to the door panel to complete the shape. For more detailed instructions follow Step 2 below.



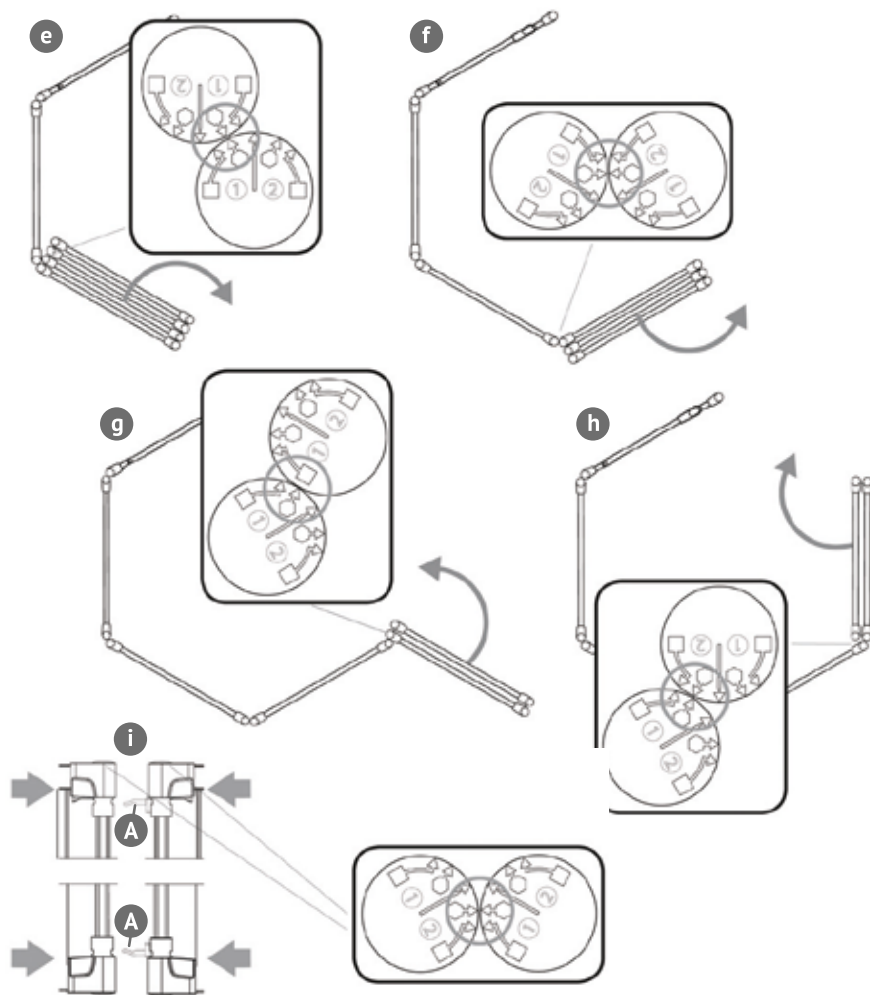
### 2. Hexagonal Configuration

To set up the playpen as a hexagon, unlock the hinge of the door panel (C) and rotate the panel 60° until the hexagon symbol (1) on the hinge lines up with the square symbol (2) on the adjacent hinge as shown in (b). Secure the hinge in this position by pushing down on the hinge. Unlock the adjacent hinge of the next panel and rotate the hinge with the door a further 60° until the hexagons on both hinges align as shown in (c). Again, secure the hinge in this position by pushing down on it.

To unfold the next panel, unlock the hinge at the other end of the panel and rotate all of the remaining panels around until the hexagon symbol (1) on the hinge lines up with the square (1) on the hinge of the next element (d).



Continue to unfold the remaining panels following the same routine (diagrams e to h). To connect the last panel to the door panel first unlock and rotate the outer slat of the door panel to the hexagon symbol (2). Then unlock and rotate the outer slat of the last panel to the hexagon (1). Line up the connectors (A) to the corresponding openings on the door (C) and gently push the two together until they click into place as shown (i). Lock both hinges by pushing down on the panels, and finally check that all the other hinges are locked.



You can now place your base mat into the playpen and secure it to each panel with the ties.

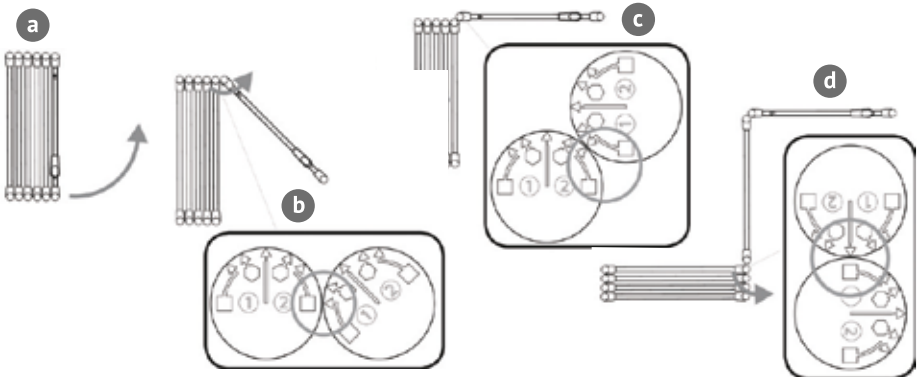


### 3. Rectangular Configuration

To set up the playpen as a rectangle, unlock the hinge of the door panel 'C' and rotate the panel 45° until the square symbol (1) on the hinge lines up with the square symbol (2) on the adjacent hinge as shown in (b). Secure the hinge in this position by pushing down on the hinge.

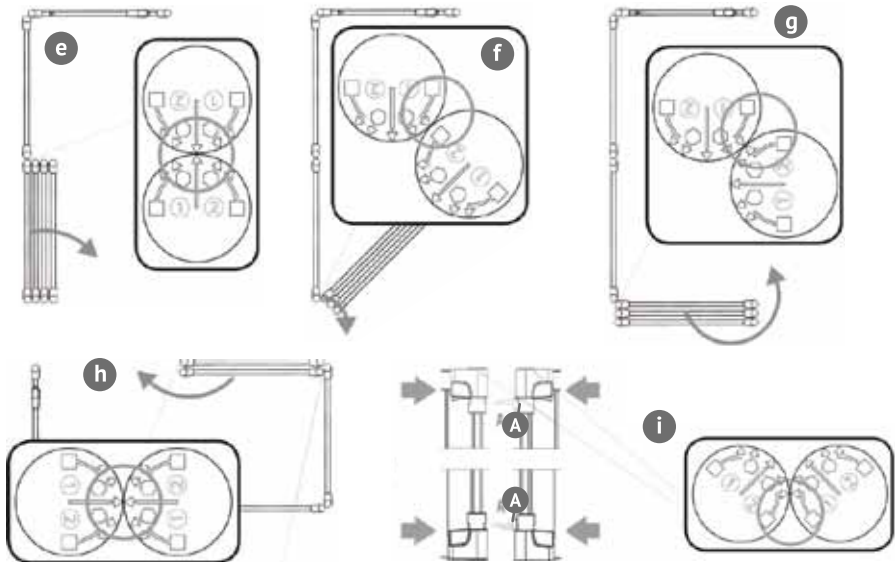
Unlock the adjacent hinge of the next panel and rotate the hinge with the door a further 45° until the square symbols on both hinges align as shown in (c). Again, secure the hinge in this position by pushing down on it.

To unfold the next panel, unlock the hinge at the other end of the first panel and rotate all of the remaining panels around until the straight line indicator (1) on the first panel lines up with the square (1) on the hinge of the next panel (d). Secure the hinge in this position (push down !).



Unlock the next hinge and rotate the remaining panels around until the straight indicators line up as shown (e). Continue to unfold the playpen as shown (diagrams f to h). To connect the last panel to the door panel, first unlock and rotate the outer slat of the door panel to the square symbol (2). Then unlock and rotate the outer slat of the last panel to the square (1).

Line up the connectors (A) to the corresponding openings on the door (C) and gently push the two together until they click into place as shown (i). Lock both hinges by pushing down on the panels, and finally check that all the other hinges are similarly locked.

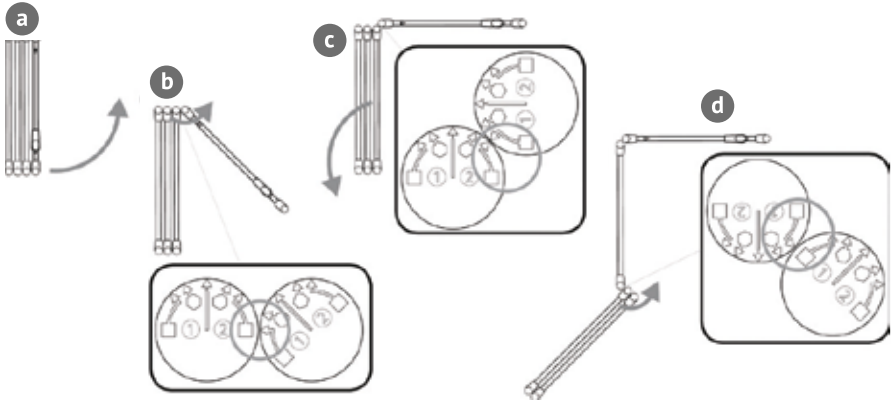


## 4. Square Configuration

To set up the playpen as a square use only 3 panels and the door.

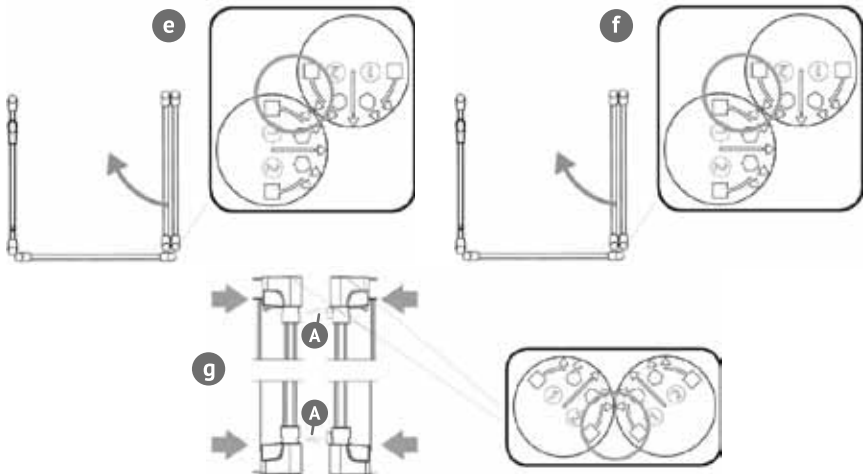
Unlock the hinge of the door panel (C) and rotate the panel 45° until the square symbol (1) on the hinge lines up with the square symbol (2) on the adjacent hinge as shown in (b). Secure the hinge in this position by pushing down on the hinge. Unlock the adjacent hinge of the next panel and rotate the hinge with the door a further 45° until the square symbols on both hinges align as shown in (c). Again, secure the hinge in this position by pushing down on it.

To unfold the next panel, unlock the hinge at the other end of the first panel and rotate all of the remaining panels around until the square symbol (1) on the first panel lines up with the square symbol (1) on the hinge of the next panel (d). Secure the hinge in this position.

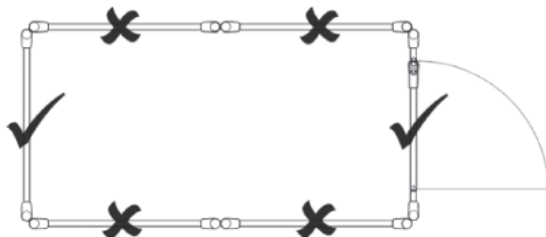


Unlock the next hinge and rotate the remaining panels around until the square indicators line up as shown (e). Rotate the last panel until the square symbol (1) on the second panel lines up with the square symbol (2) on the last panel. Finally release the hinge on the final panel and rotate it until the square symbols line up.

To connect the last panel to the door panel first unlock and rotate the outer slat of the door panel to the square symbol (2). Then unlock and rotate the outer slat of the last panel to the square (1). Line up the connectors (A) to the corresponding openings on the door (C) and gently push the two together until they click into place as shown (i). Lock both hinges by pushing down on the panels, and finally check that all the other hinges are similarly locked.

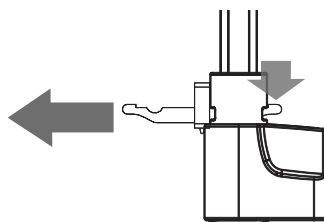
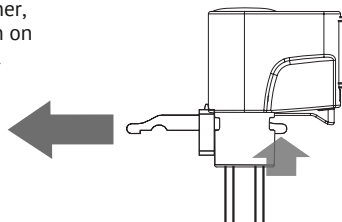


**WARNING:** The door should not be installed on the long side of a rectangular playpen.



### 5. Disconnecting panels

To disconnect or separate the panels from each other, gently pull up on the top connector and push down on the bottom connector. You will now be able to pull the panels apart.



# C INSTALLATION - AS A SAFETY BARRIER, GATE, FIRE SURROUND OR ROOM DIVIDER

## Pre-Installation Advice

### 1. WARNING - INCORRECT FITTING OR POSITIONING OF THIS SAFETY BARRIER CAN BE DANGEROUS

#### WARNING - NEVER USE WITHOUT WALL FIXINGS

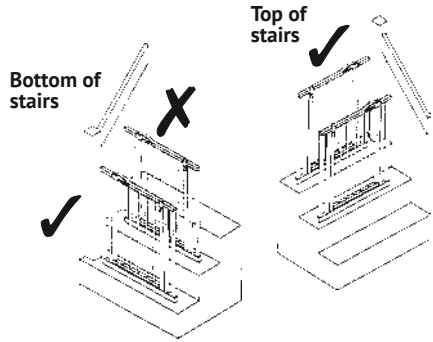
The gate must be fitted in a structurally solid opening, free of dirt and grease.

#### WARNING - THE GATE SHOULD BE POSITIONED SO THAT IT OPENS AWAY FROM THE STAIRS

The position of the safety barrier in relation to the stairs may have an adverse effect on your child's safety:

- If the barrier is used at the top of the stairs to prevent your child from falling down the stairs, it must not be placed on any stair below the level of the top stair.
- If the safety barrier is used at the bottom of the stairs to prevent your child from climbing up the stairs, it must be placed on the lowest stair.

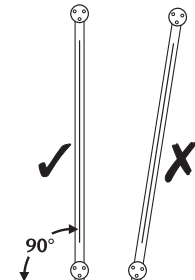
*This product requires the purchase of appropriate fixing aids suitable for the surface to which the hinges and catches are to be fitted.*



### SUITABLE SURFACES

THIS GATE OFFERS THE FOLLOWING FIXING OPTIONS:		RIGIDLY SUPPORTED WOODEN SURFACE (eg. DOOR FRAME / SKIRTING BOARD)	UNSUPPORTED WOODEN SURFACE (eg. STAIR / NEWEL POST)	PLASTERED SURFACE	PLASTER BOARD, STUD WALL - WOODEN SUPPORTING BATTEN RECOMMENDED	WALL PAPERED SURFACE	METAL SURFACE (eg. ALUMINIUM / STEEL DOOR FRAME)	PLASTIC SURFACE (eg. UPVC DOOR FRAME)	CERAMIC TILED SURFACE
✓	LOW PRESSURE MOUNTING WITH SCREW FIXED WALL CATCHES	✓	✓	✓	✓	✓	✓	✓	✓

### WARNING - GATE / BARRIER MUST BE FITTED UPRIGHT AS SHOWN



2. Measure the area where you want to place the barrier and choose the appropriate element configuration depending on the desired use.

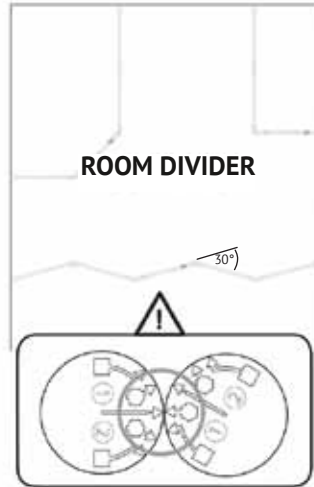
**WARNING** - For the fire-surround and room divider configuration, the door should be installed in the middle of the barrier.

**WARNING** - When installing as a room divider, the panels should not be connected in a straight line. A minimum offset angle of 30 ° is required between each panel. This is achieved by aligning the straight and hexagonal symbols on the hinges as shown.

### FIRE SURROUND



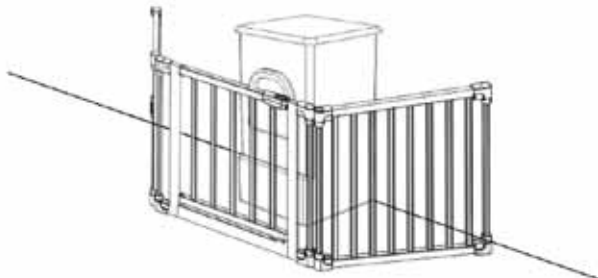
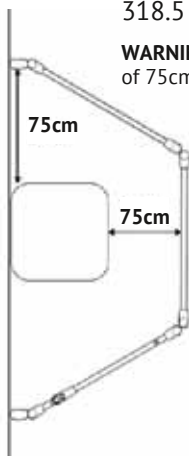
### SAFETY BARRIER



Choose the correct configuration of panels depending on the width of the desired opening:

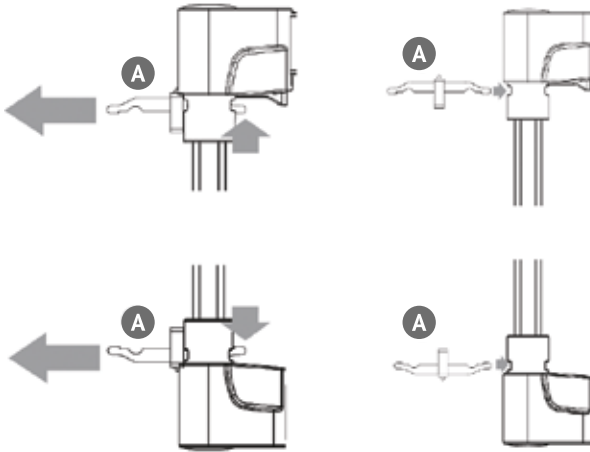
74.5 cm to 82.5 cm	1 door
82.5 cm to 141.5 cm	1 door + 1 element
141.5 cm to 200.5 cm	1 door + 2 elements
200.5 cm to 259.5 cm	1 door + 3 elements
259.5 cm to 318.5 cm	1 door + 4 elements
318.5 cm to 367.5 cm	1 door + 5 elements

**WARNING** - When using the barrier as a fire-surround a minimum distance of 75cm must be kept between the barrier and the heat source.

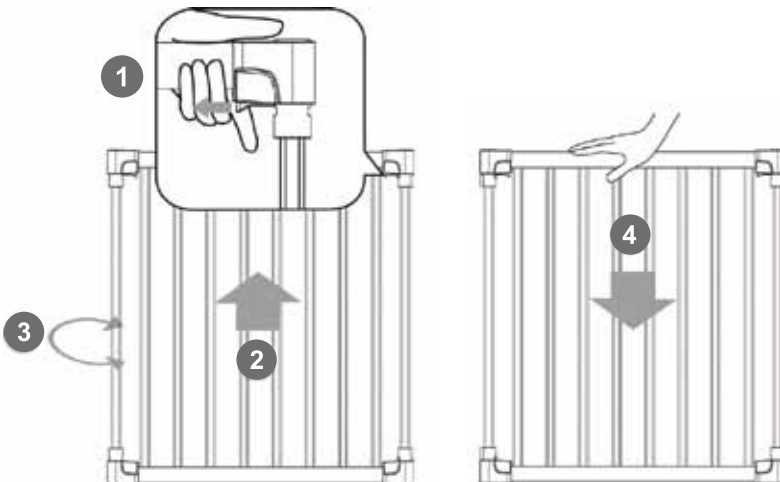




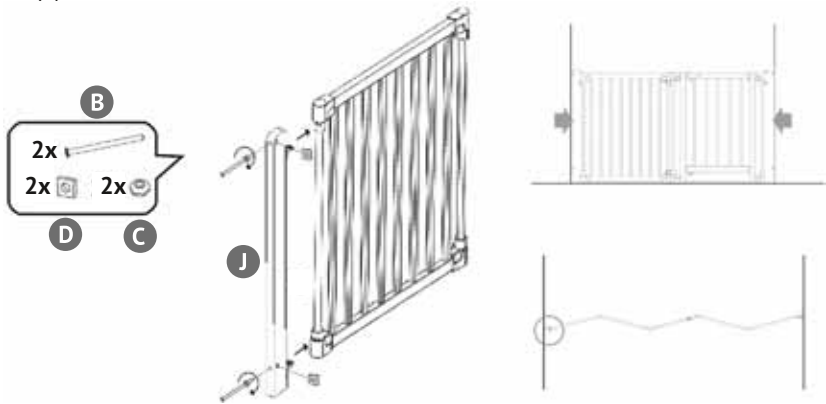
- 3.** To disconnect or separate the panels from each other, gently pull up on the top connector (A) and push down on the bottom connector (A). You can now pull the panels apart or pull the connector free from the hinge. To connect the elements again simply push the connectors (A) into the top and bottom holes in the panel hinges as shown.



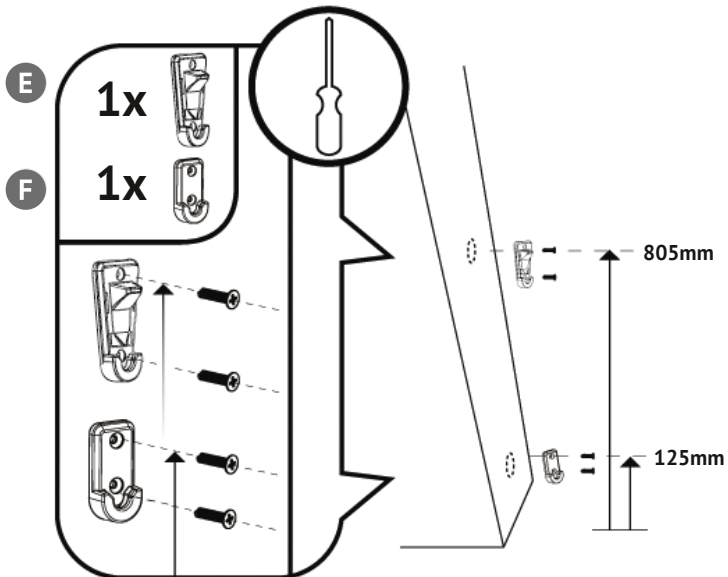
- 4.** Place the playpen vertically upright on a stable surface. Each panel has a hinge at each end and the hinges are secured, top and bottom by a connector (A). To unfold each slatted panel you need to unlock each hinge. To do this, slide the catch underneath each top corner hinge (1) outwards and gently lift the panel (2) whilst holding down the adjacent panel. This will allow you to rotate the panel around the outer slat (3). To secure each panel again, push down on it firmly (4) until it locks. You can check that each panel is locked, by gently trying to rotate it. If it will not rotate, it is securely locked.



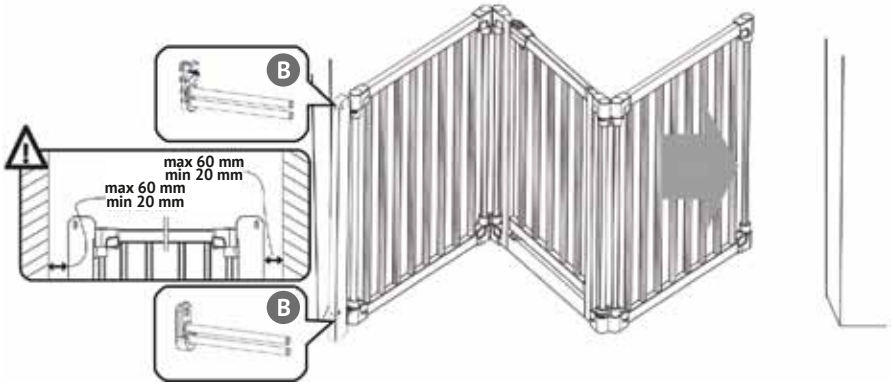
5. Attach a wall post (J) to each of the panels of the barrier that will be fixed to the wall using two connectors (A).  
Screw a nut (C) onto each spindle (B). Place the square nuts (D) into the slots provided at the top and bottom of the wall posts (J), then screw a spindle (B), with nut (C) into each square nut (D).



6. Mark the position for the wall fixings (E) & (F) on one of the wall surfaces. The top hole for the upper wall catch (E) should be 805mm from the floor. The top hole for the lower wall cup (F) should be 125mm from the floor.  
Fix the catch and wall cup using the appropriate fixings depending on the surface available: wood screws for wooden surfaces, appropriate wall-plugs and screws for brick / concrete / plaster walls and metal screws for metal surfaces. *These screws and fixings are not provided. Use Size 6 (3.5mm diameter) flat headed countersunk screws of minimum length 25mm.*

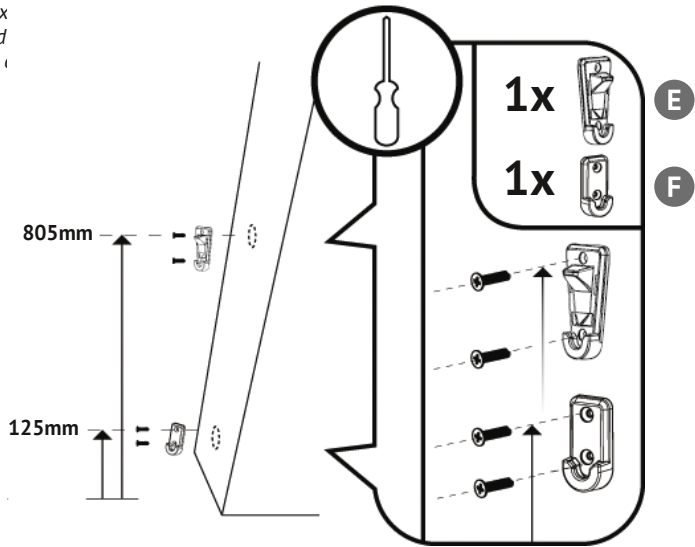


7. Adjust the wall-posts so that they are perpendicular to the wall surface and place the barrier in the desired position, making sure that the spindles (B) fit into the wall catch (E) and wall cup (F). It is important that panels are offset to each other by a minimum angle of 30° at all times.



8. On the second wall surface mark the position for the wall fixings (E) & (F). The top hole for the upper wall catch (E) should be 805mm from the floor. The top hole for the lower wall cup (F) should be 125mm from the floor. Fix the catch and wall cup using the appropriate fixings depending on the surface available: wood screws for wooden surfaces, appropriate wall-plugs and screws for brick / concrete / plaster walls and metal screws for metal surfaces.

*These screws and fix  
Use Size 6 (3.5mm d  
countersunk screws*

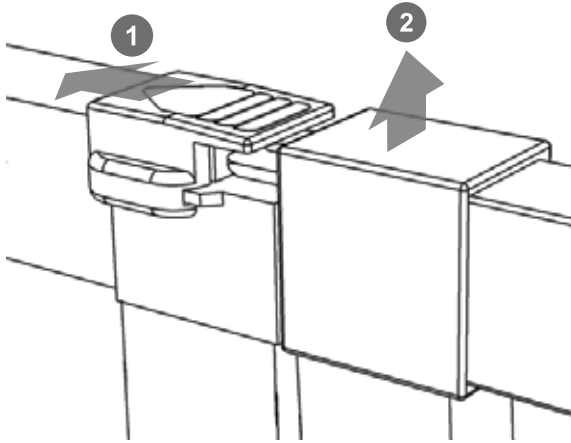


9. Finally, attach the barrier to both sets of wall catches and wall cups adjusting the length of the spindles as necessary. Secure the spindles by tightening the nuts (C) with the spanner (G).

## D USING THE DOOR OR GATE

Before using the gate, ensure that it is fitted correctly and is secure.

To open the door, slide the catch back (1) and lift the door clear of the pin.



## E MAINTENANCE

Check the playpen / barrier / gate / fire-surround periodically to ensure that the wall surfaces, wall cups, catches, spindles and locking devices are all functioning correctly. Additional and replacement parts can be obtained by contacting the Clippasafe Customer Services Department via the Careline or e-mail address below.

Clean using warm water and mild detergent.

No part of the product requires lubrication. Never use solvents, chemicals, scouring powders or sharp tools to clean this product.

### Clippasafe Ltd.

Lanthwaite Road, Clifton,  
Nottingham, NG11 8LD, England  
Tel: 0115 921 1899

E-mail: [careline@clippasafe.co.uk](mailto:careline@clippasafe.co.uk)

[www.clippasafe.co.uk](http://www.clippasafe.co.uk)

Model No.108 - Playpen

©Clippasafe Ltd 2014 - 108/Apr2014

